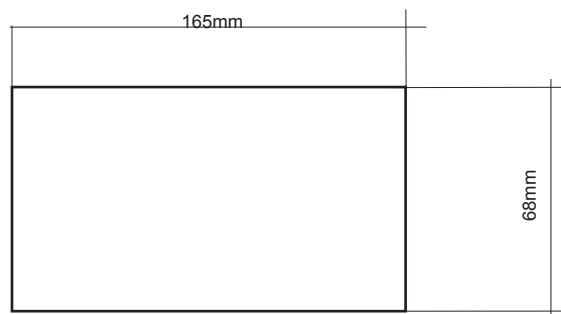




VK DMX 82

DESCRIPTION

RGB controller. Control
DMX 4 A for channel.



Control	RGB 3 channels
Remote Control:	DMX
Voltage:	12/24 VDC
Current (Typ):	4A channel
Power:	144W-12v 288W-24V
Operating Temp. :	-20°C +60°C
Storage Temp.:	-20°C +60°C
Connection way:	Cammon anode
Long:	165MM
Width:	68 MM
Height:	40 MM
Energy efficiency:	Class A
Degree of protection:	IP 20